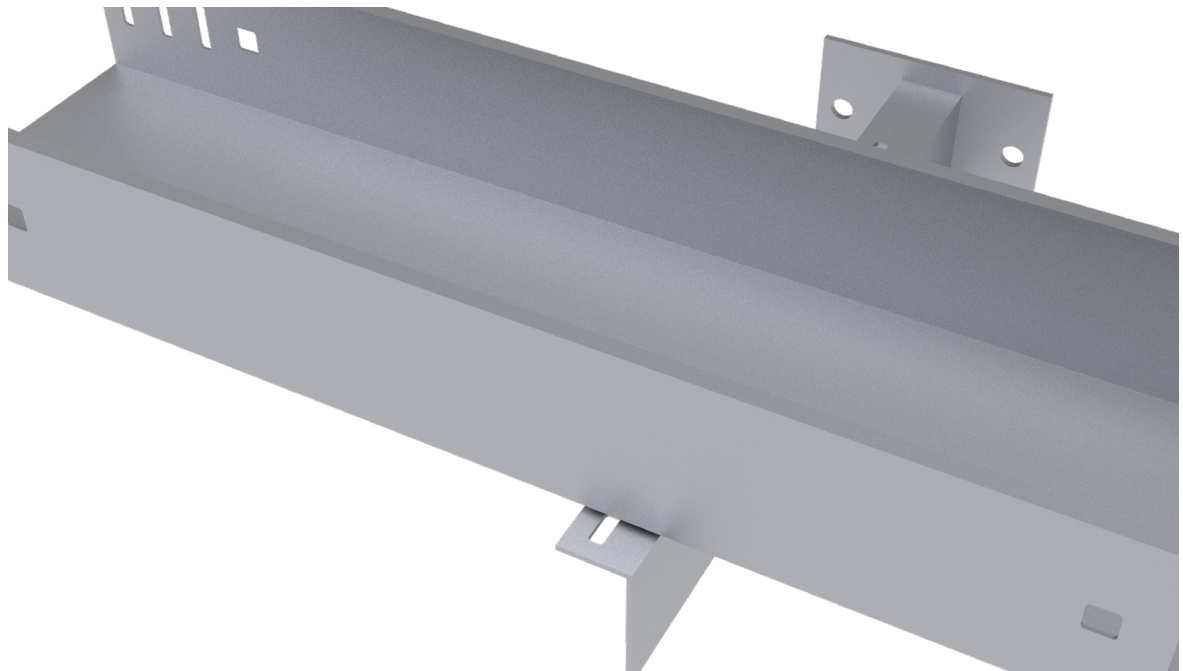


Solid Bottom Cable Tray – Installation & Related Accessories

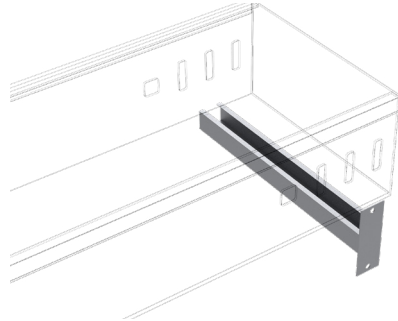
Wall Mounting



It is suitable for places with sufficient wall length and where straight-line wiring is needed. Wall mounting is a relatively economical and practical method, with a simple installation process, but it requires ensuring the wall's load-bearing capacity.

Wall Mounting Accessories

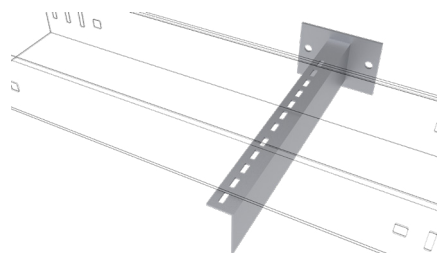
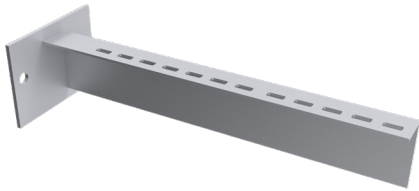
Wall Bracket



Part Number

TY-WB-100
TY-WB-150
TY-WB-200
TY-WB-250
TY-WB-300
TY-WB-400
TY-WB-450
TY-WB-500
TY-WB-600

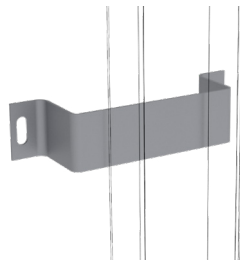
Cantilever Arm



Part Number

TY-CRP-100
TY-CRP-150
TY-CRP-200
TY-CRP-250
TY-CRP-300
TY-CRP-400
TY-CRP-500
TY-CRP-600
TY-CRP-800

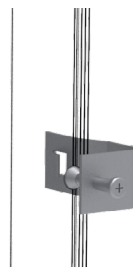
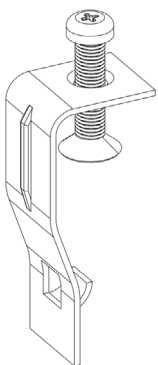
Floor Stand (floor mounting)



Part Number Width (W)/mm

TY-EFS-50	50
TY-EFS-100	100
TY-EFS-150	150
TY-EFS-200	200
TY-EFS-250	250
TY-EFS-300	300
TY-EFS-400	400

Cover Clamp



Part Number Height (H)/mm

TY-SCLP-50	50
TY-SCLP-100	100
TY-SCLP-150	150
TY-SCLP-200	200